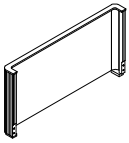
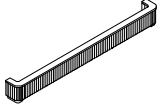
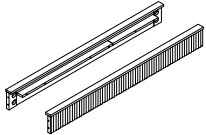
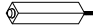
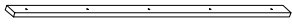
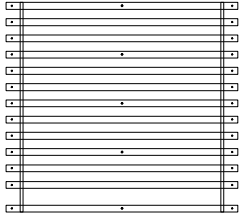


ASSEMBLY INSTRUCTION FOR ACME FUNITURE

MODEL #BD04092

Thank you for purchasing the quality product. Be sure to check all packing material carefully for small parts which may have come loose inside the carton during shipment. Seperate, identify and count all parts and metal hardware. Compare with all parts list to be sure all parts are present. If any parts(s) are missing or damaged , please contact your local furniture dealer. For efficient and speedy service, please indicate the model number and code letter of part(s) needed.

*****Do not fully tighten screws until fully assembled*****

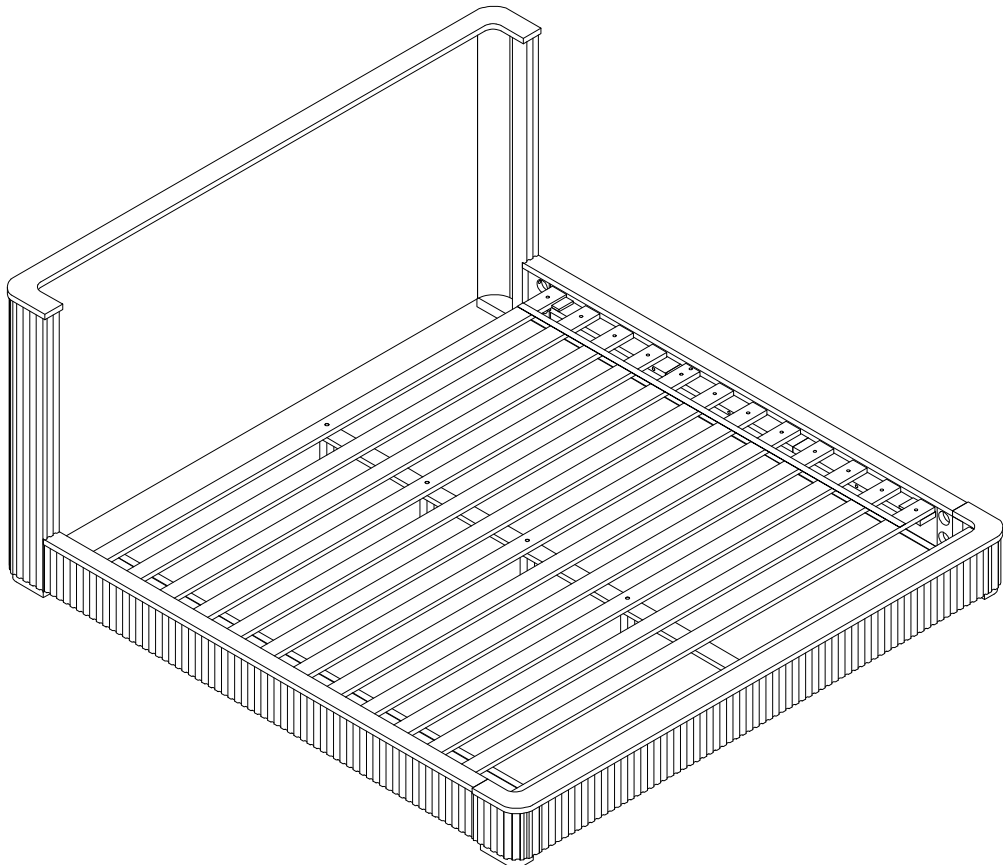
COMPONENT PARTS		
DESCRIPTION	PART NAME	QTY (PCS)
①	HB FRAME 	1
②	FB FRAME 	1
③	LEFT/RIGHT SIDE RAIL 	2
④	SUPPORT LEG 	5
⑤	CENTER RAIL 	1
⑥	13 SLAT ROLL 	1 SET

Attention

*** Some number parts listed on the Intruction sheet may not be In parts bag as they may already beassembled. Carefully check parts and packing materials prior to ordering replacements.

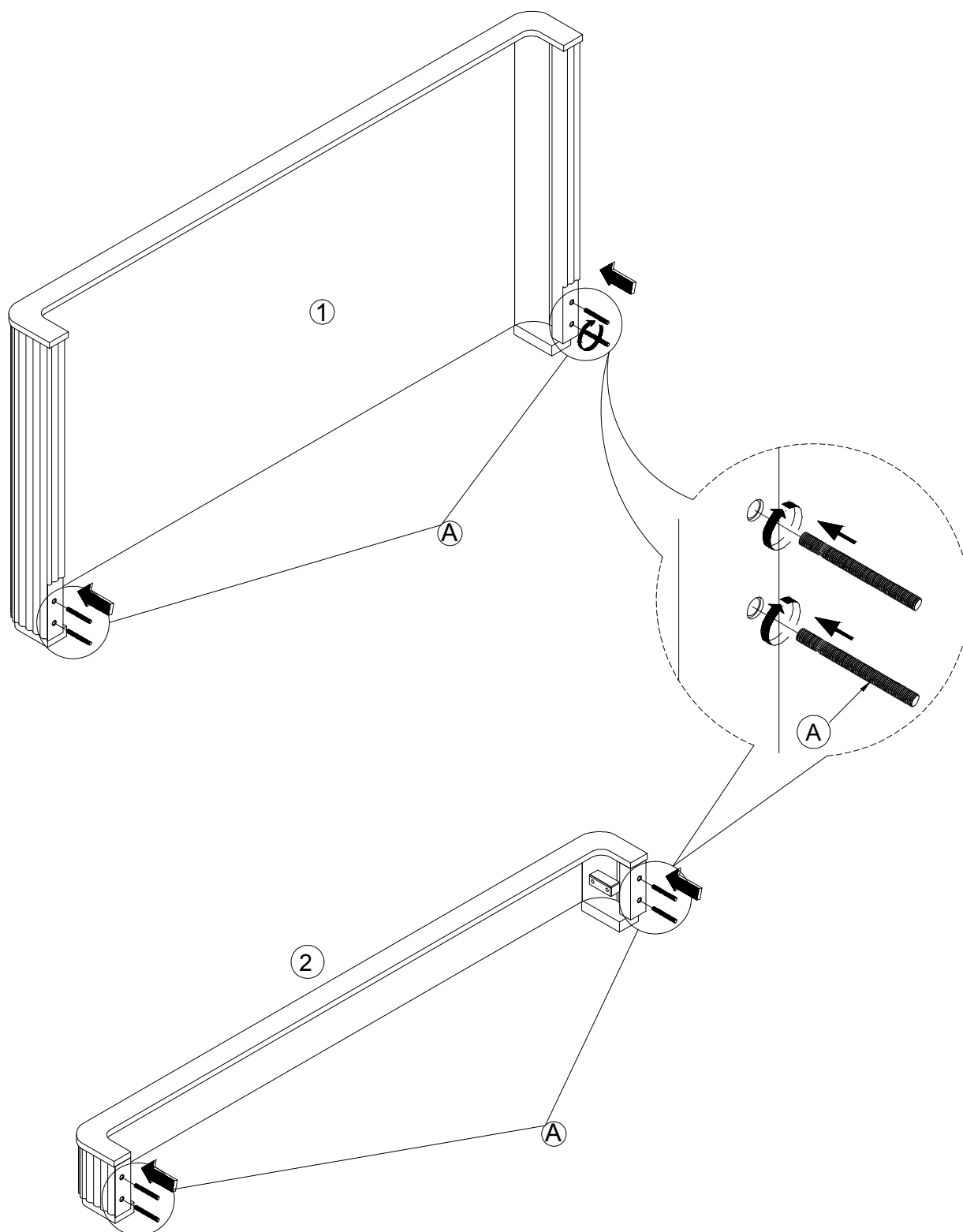
HARDWARE REQUIRED

Ⓐ		STUD BOLT	Ø5/16" x 90mm	8 PCS
Ⓑ		CRESCENT WASHER	Ø5/16"	8 PCS
Ⓒ		HEXAGON NUT	Ø5/16"	8 PCS
Ⓓ		LOCK WASHER	Ø5/16"	8 PCS
Ⓔ		FLAT WASHER	Ø5/16"	8 PCS
Ⓕ		SCREW	Ø8*30mm	26 PCS
Ⓖ		WRENCH	Ø5/16"	1 PC



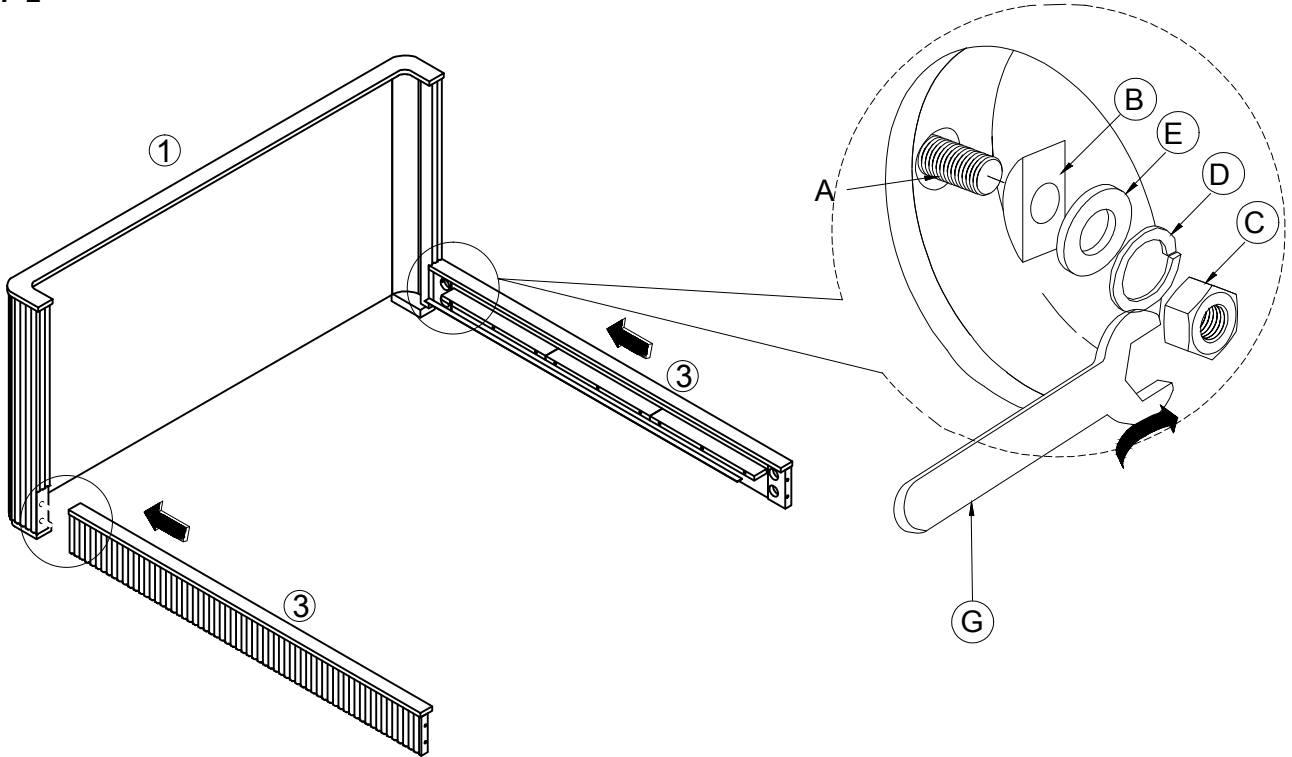
How to assemble:

STEP 1

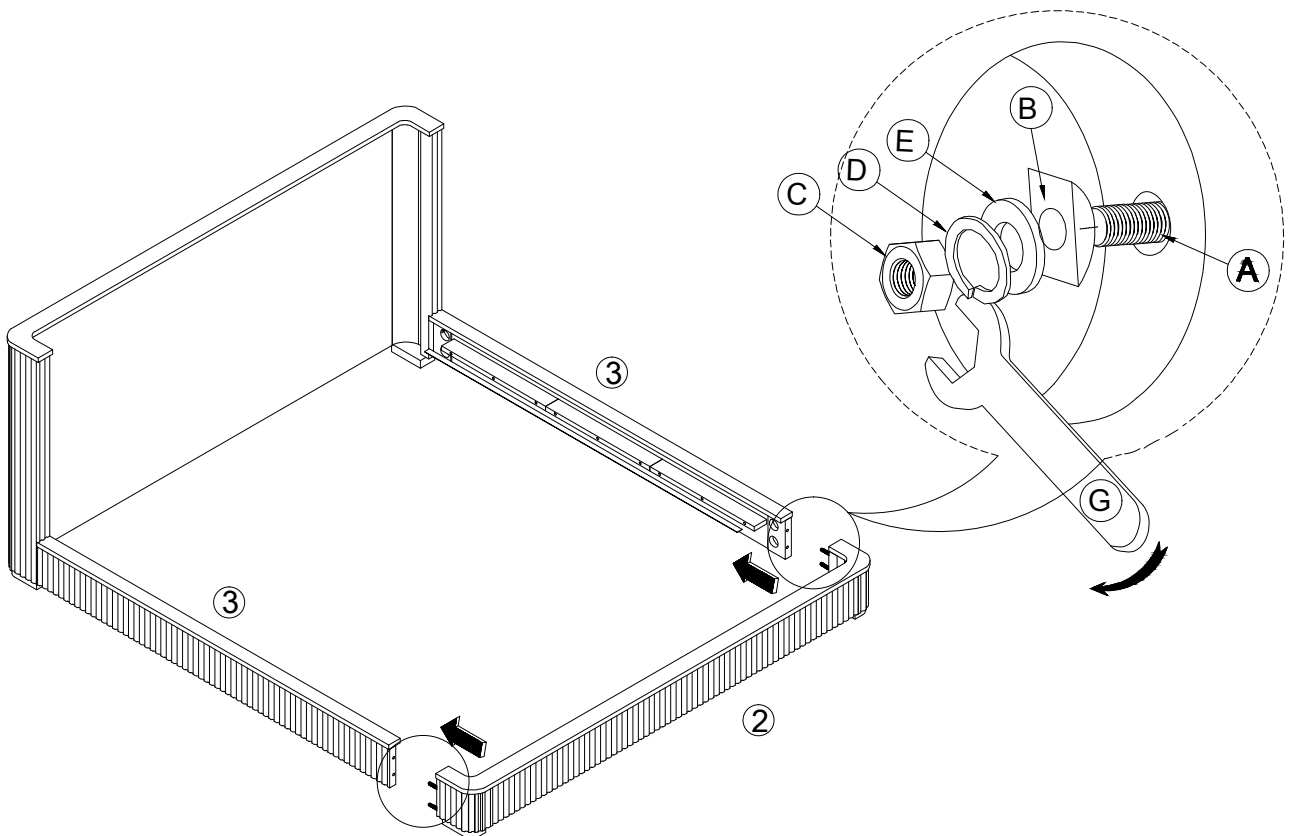


How to assemble:

STEP 2

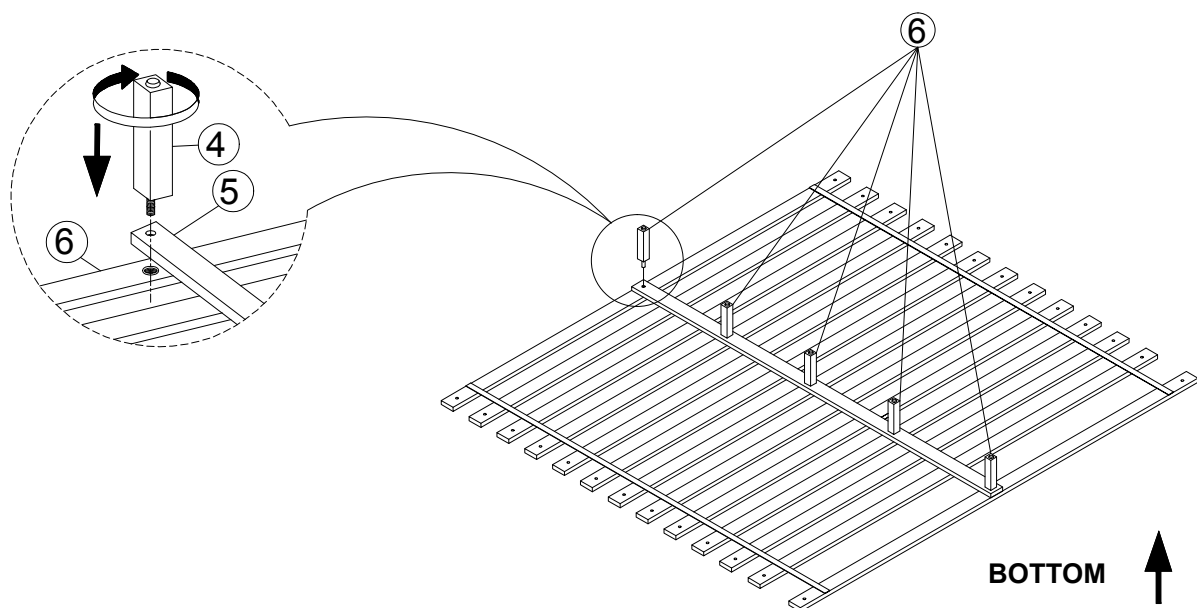


STEP 3

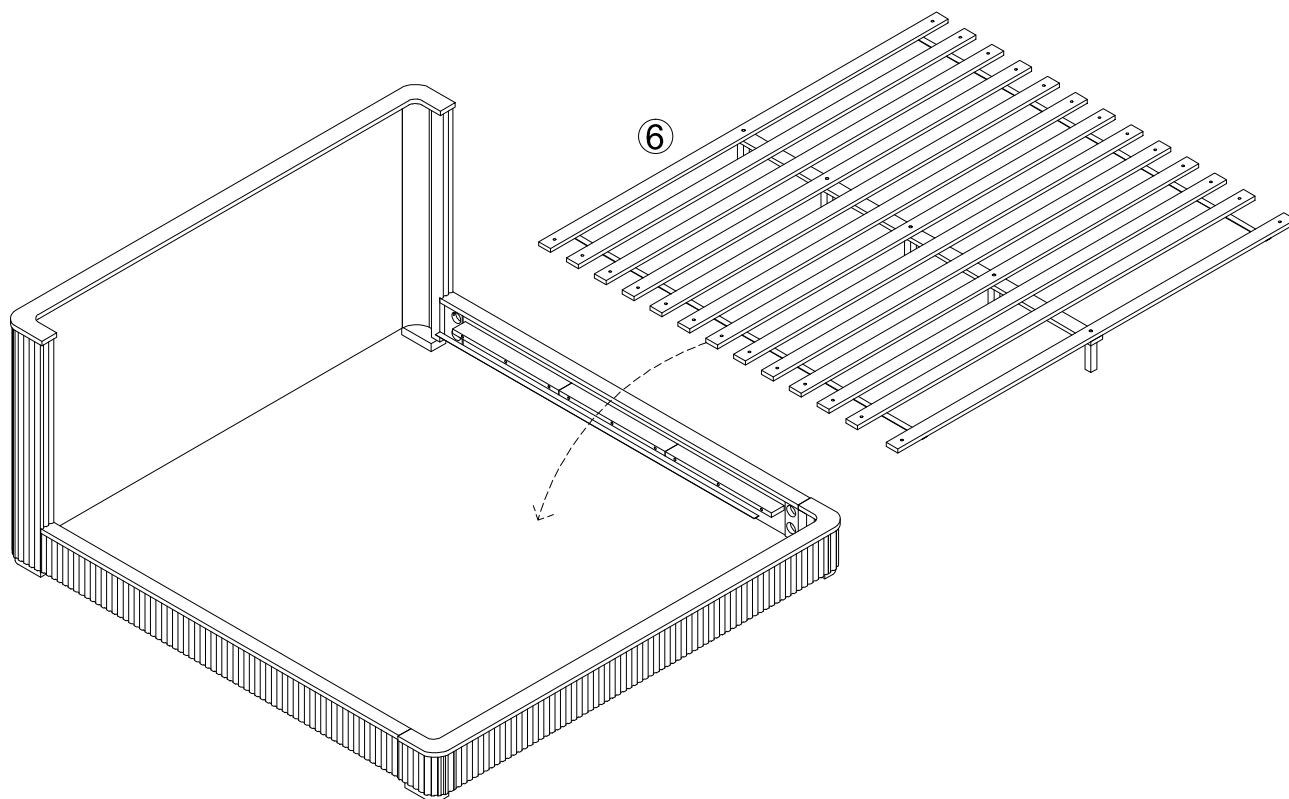


How to assemble:

STEP 4

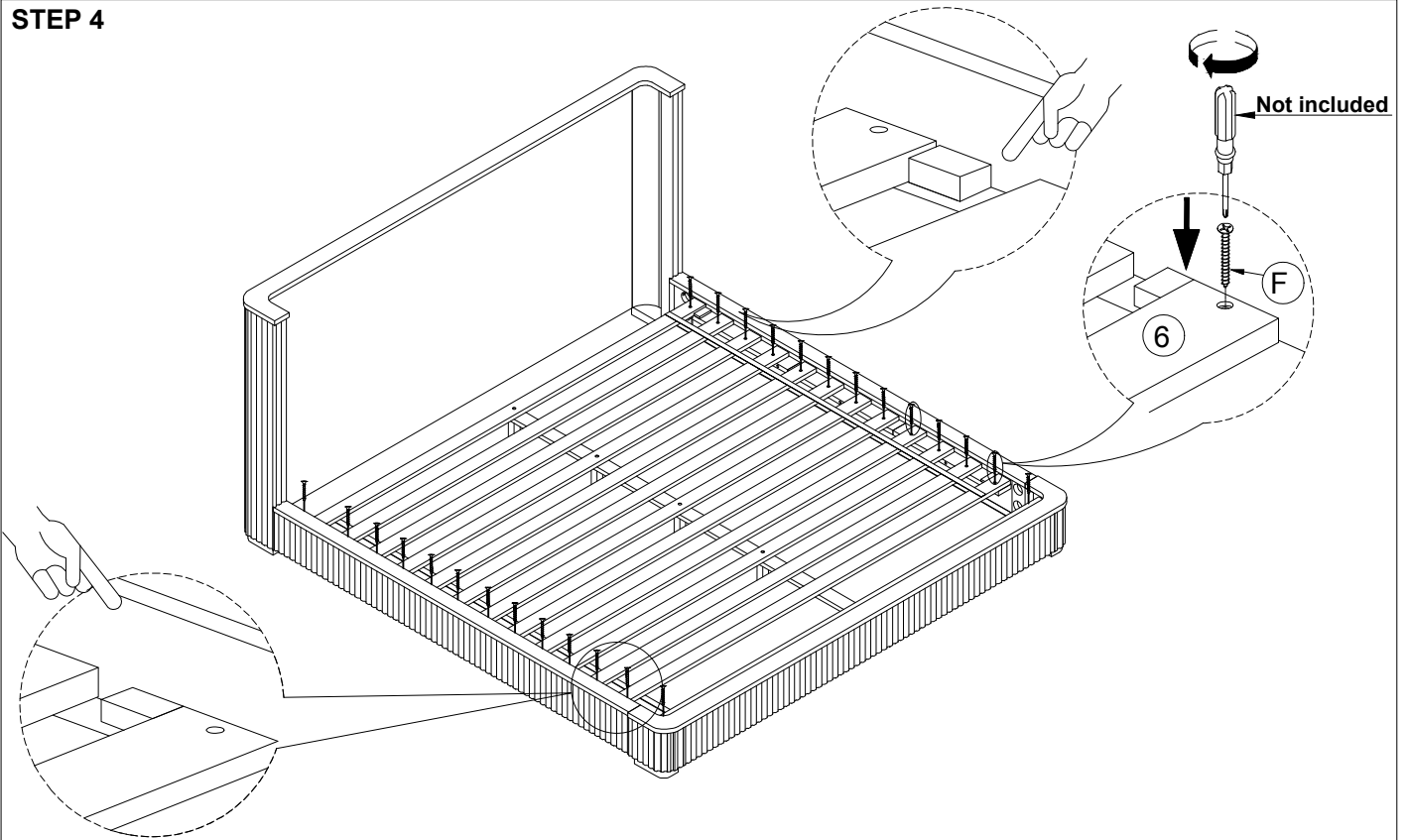


STEP 5

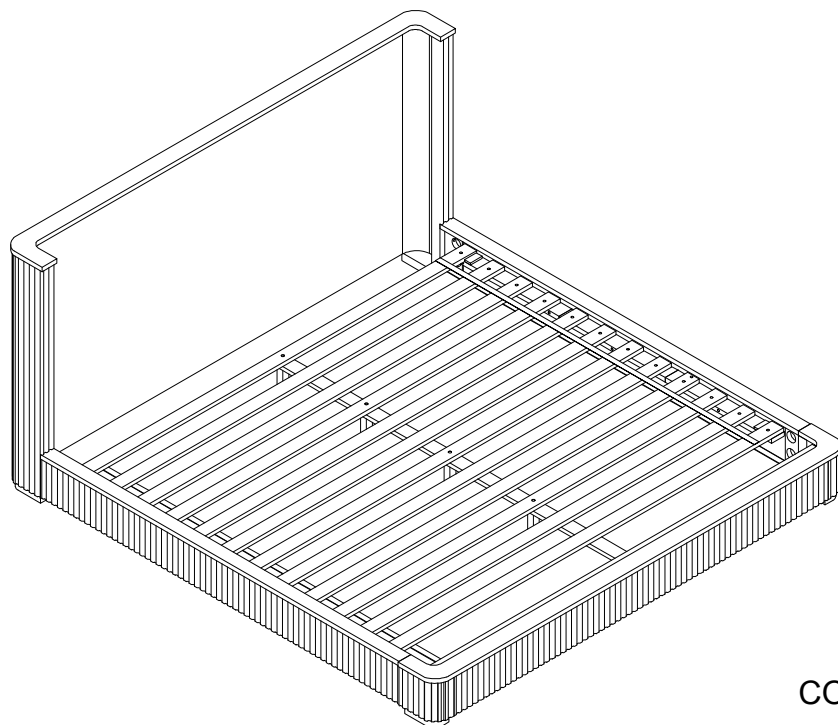


How to assemble:

STEP 4



STEP 5



COMPLETED