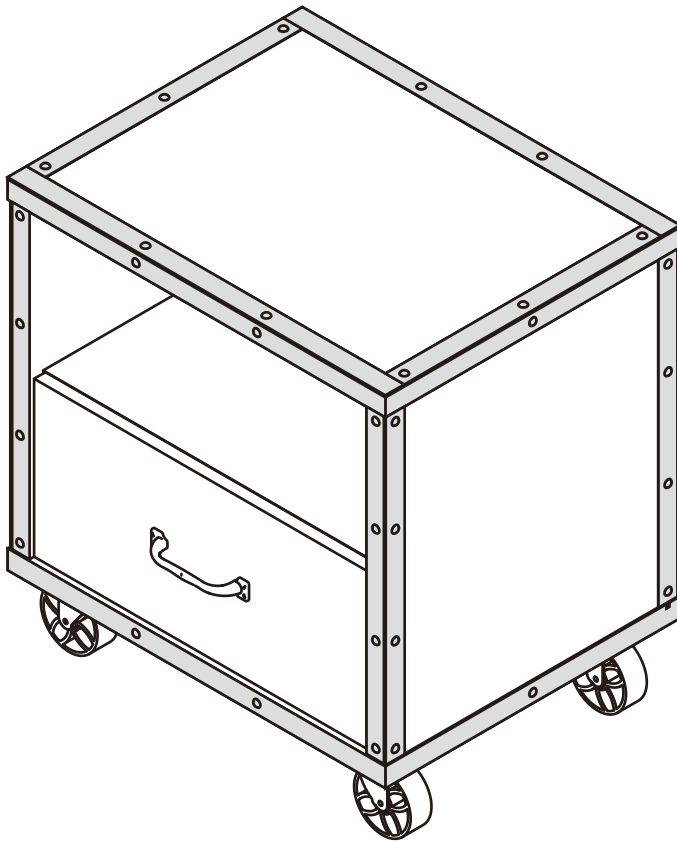


ASSEMBLY INSTRUCTIONS

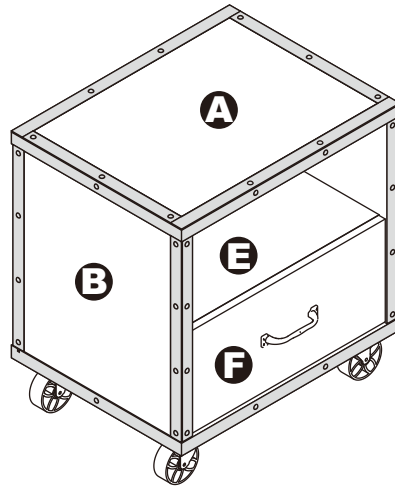
97266



END TABLE

END TABLE

97266

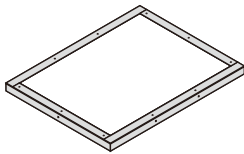


DIMENSIONS

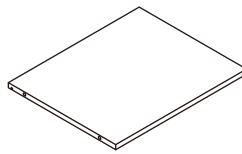
Width - 19.9"
Depth - 15.5"
Height - 21.5"

PARTS LIST

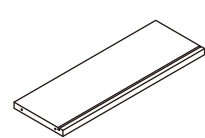
A X1



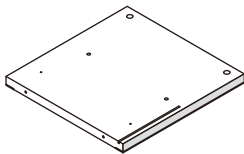
E X1



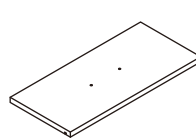
I X1



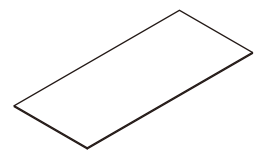
B X1



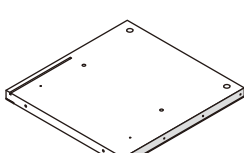
F X1



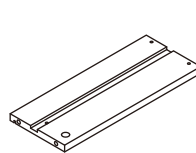
J X1



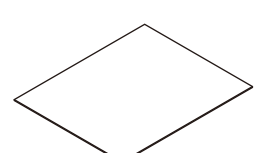
C X1



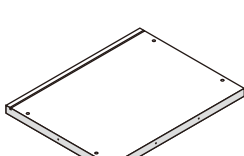
G X1



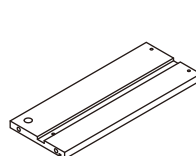
K X1



D X1

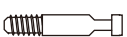


H X1



HARDWARE LIST

1 X6



2 X6



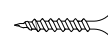
3 X10



4 X4



5 X4



6 X2



7 X4



8 X2



9 X1



10 X2



11 X4



12 X16



13 X4



14 X4

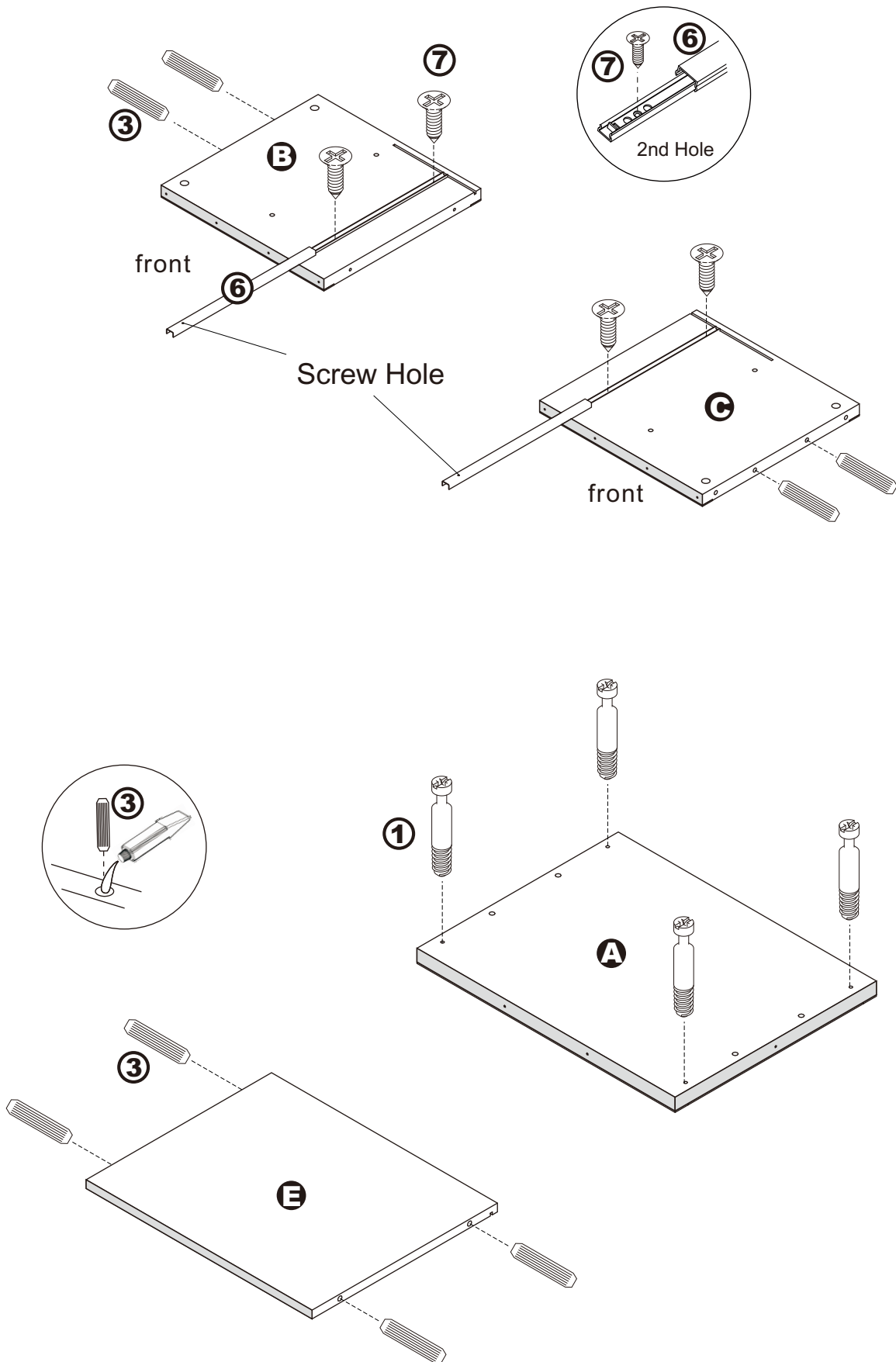


15 X42



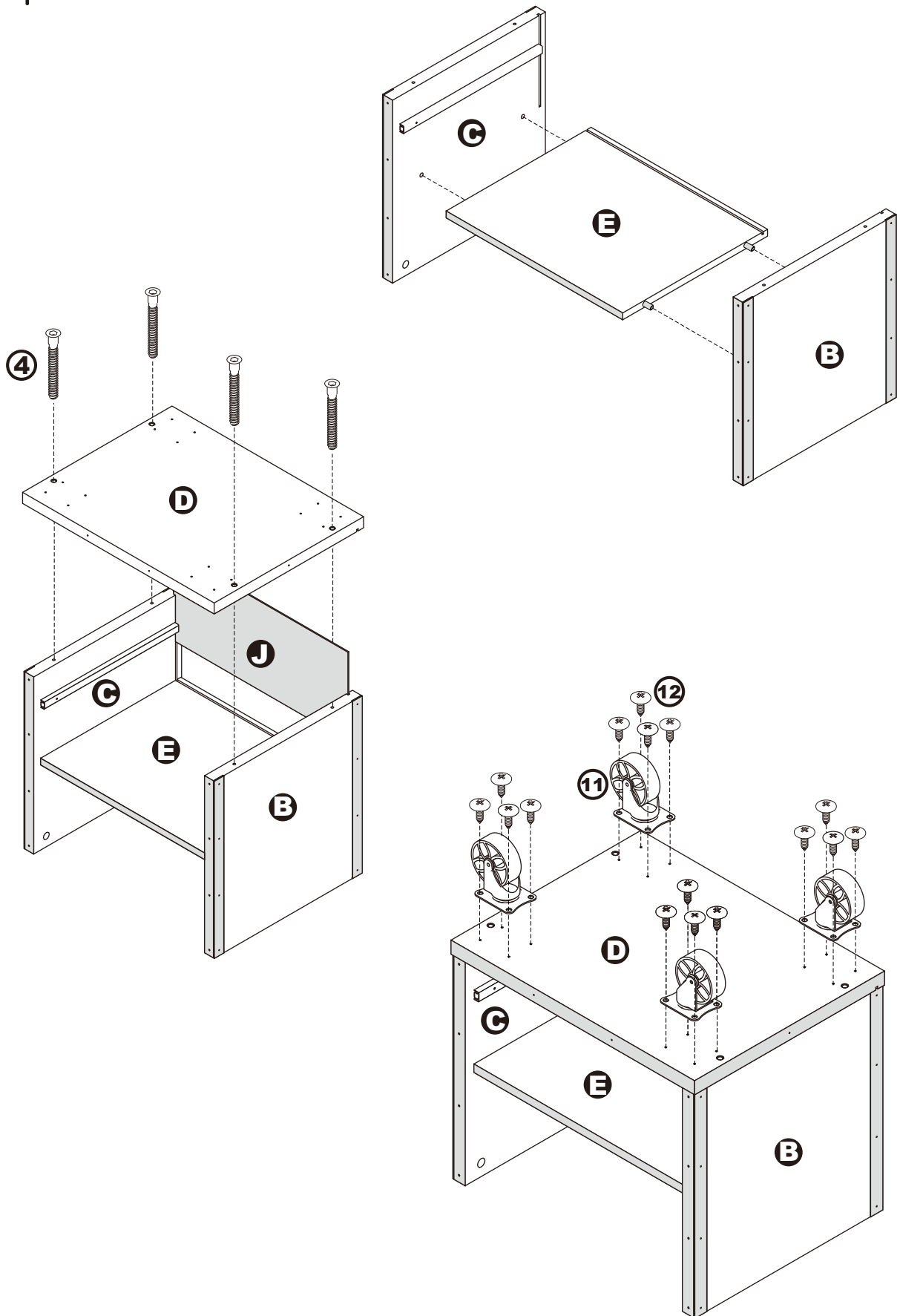
ASSEMBLY INSTRUCTIONS

Step 1.



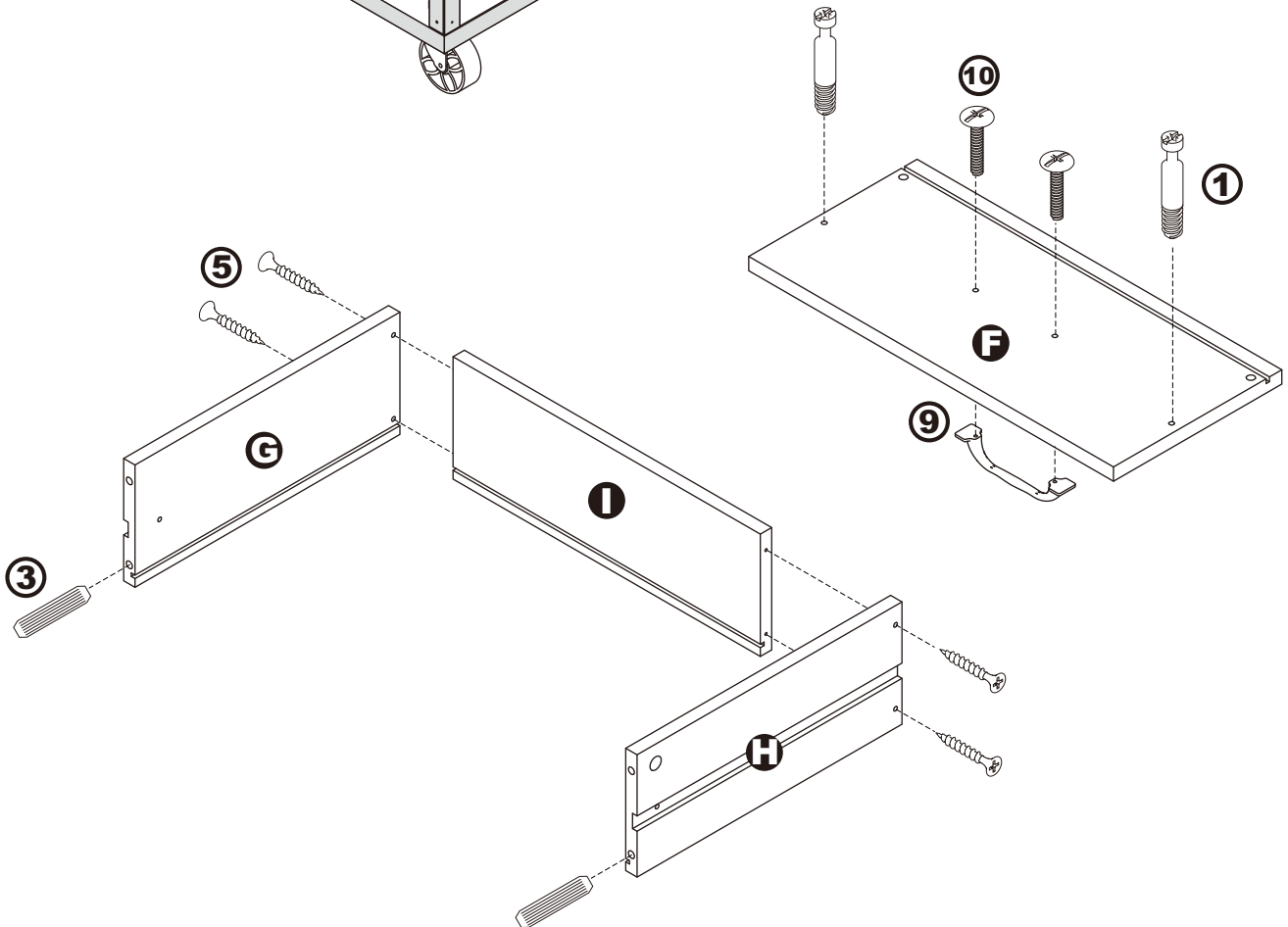
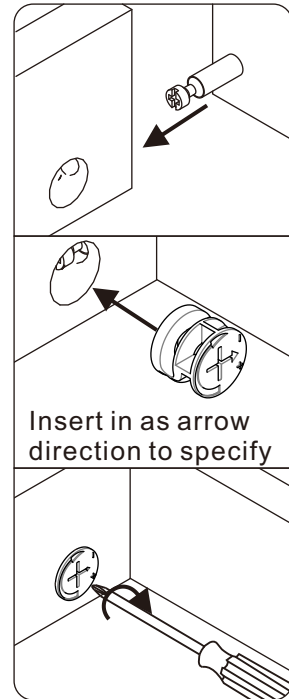
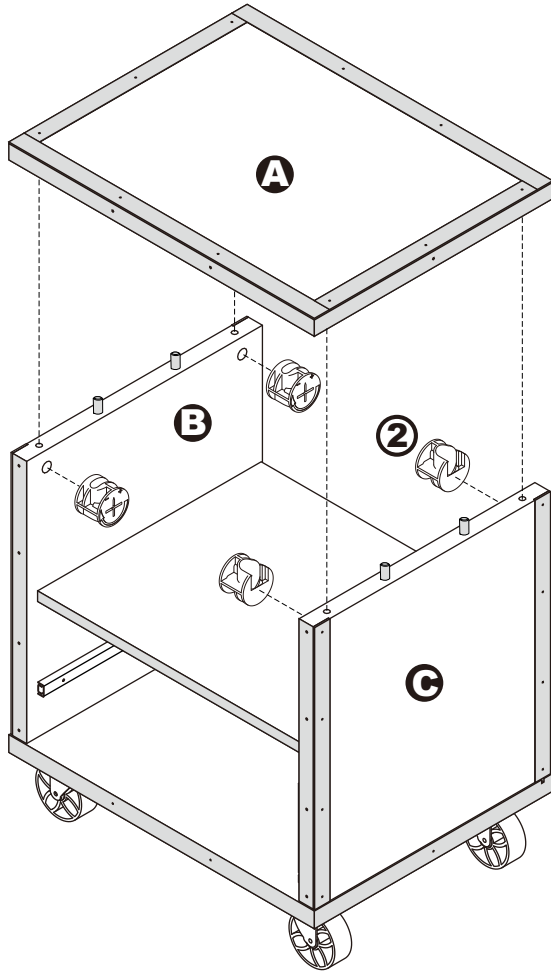
ASSEMBLY INSTRUCTIONS

Step 2.



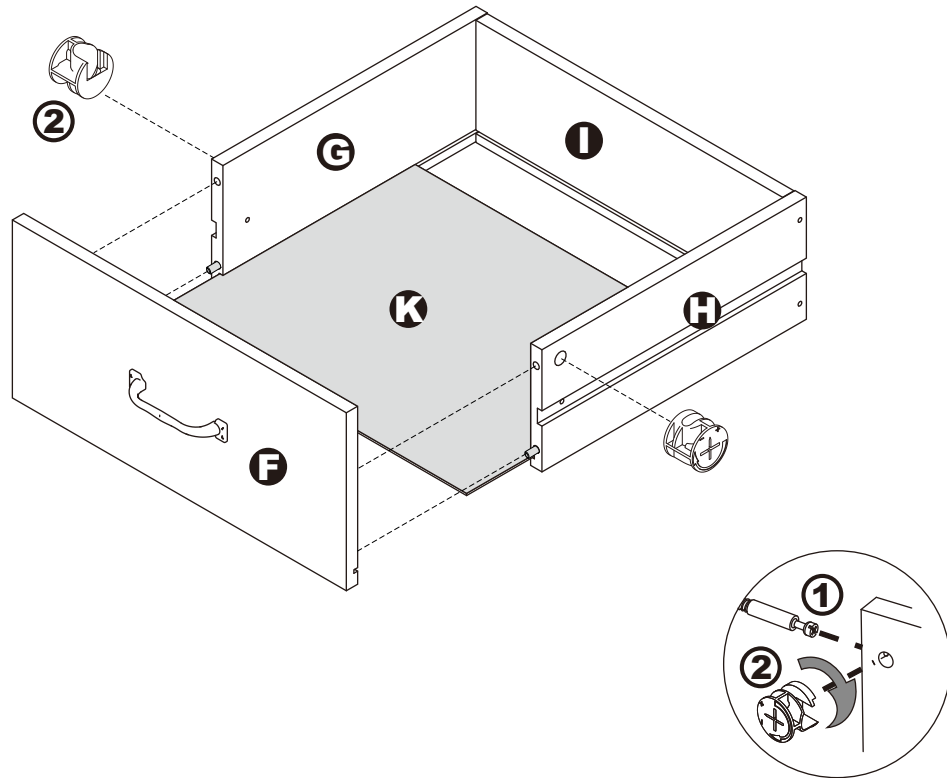
ASSEMBLY INSTRUCTIONS

Step 3.



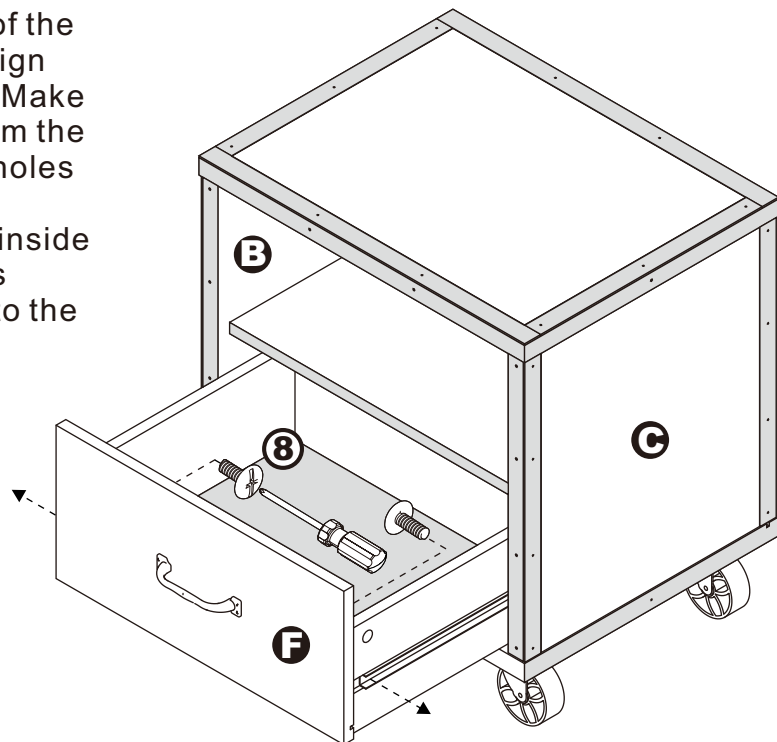
ASSEMBLY INSTRUCTIONS

Step 4.



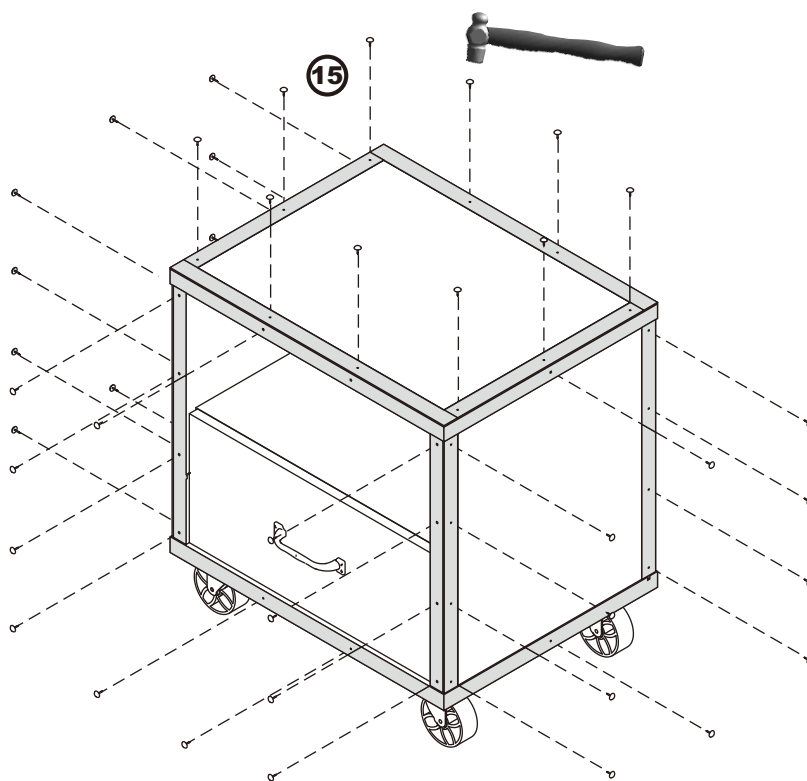
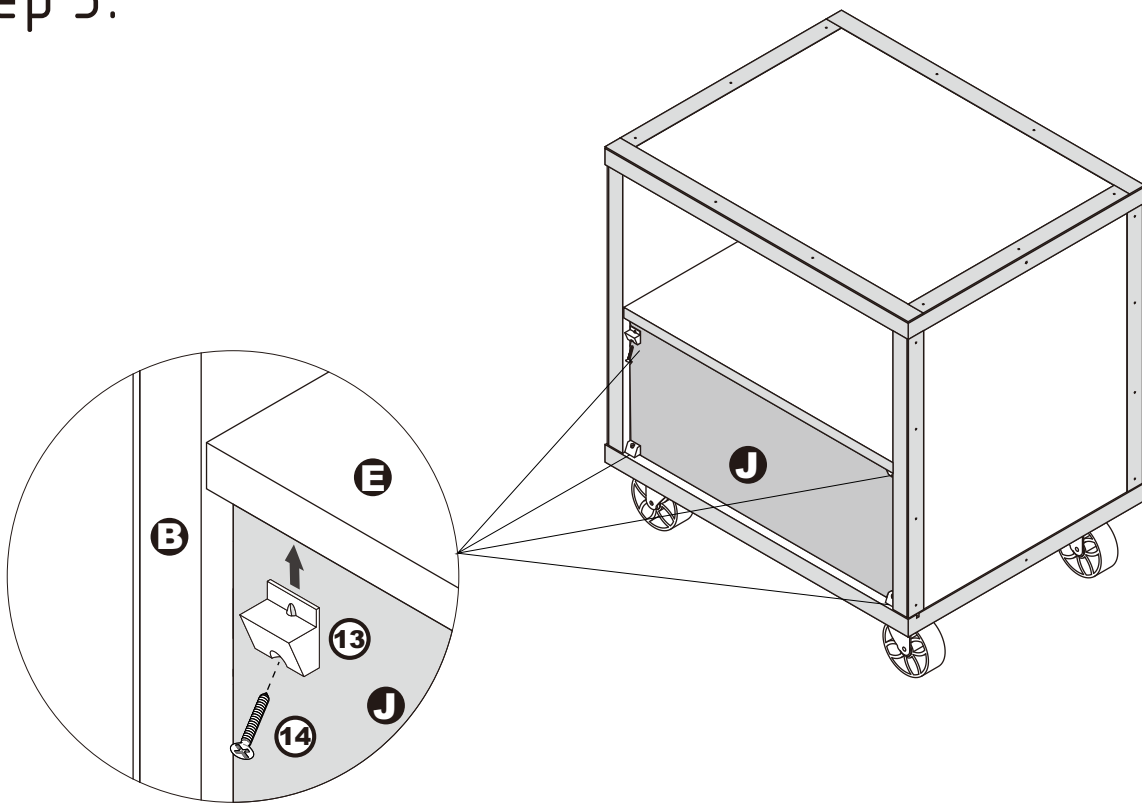
Extend the two outer slides of the runners so that they could align with the sides of the drawer. Make sure the pre-drilled holes from the drawer align with the screw holes of the outer slides.

Secure two screws from the inside of the drawer using a Phillips screwdriver to tighten them to the outer slides.



ASSEMBLY INSTRUCTIONS

Step 5.



ASSEMBLY IS COMPLETED

Make sure the product is rested on a flat surface and does not feel loose or wobbly. If it does, double check that the bolts/screws are secured and properly tightened.