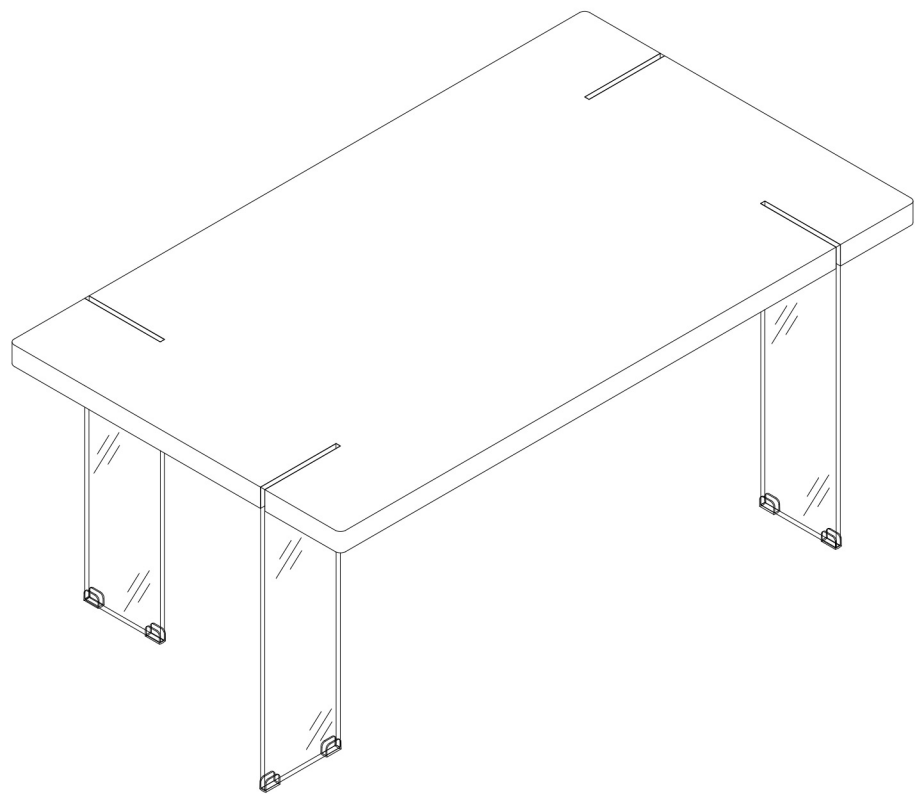


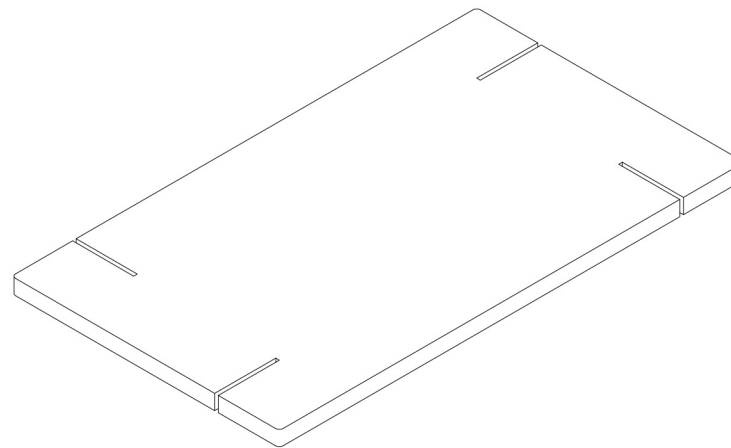
**ASSEMBLY INSTRUCTIONS**  
**ITEM NO.: 72185 72190**



**Do not tighten screws until completely assembled.**

**PARTS IDENTIFICATION**

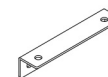
A 1pc



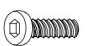




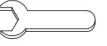

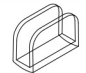
B 4pcs



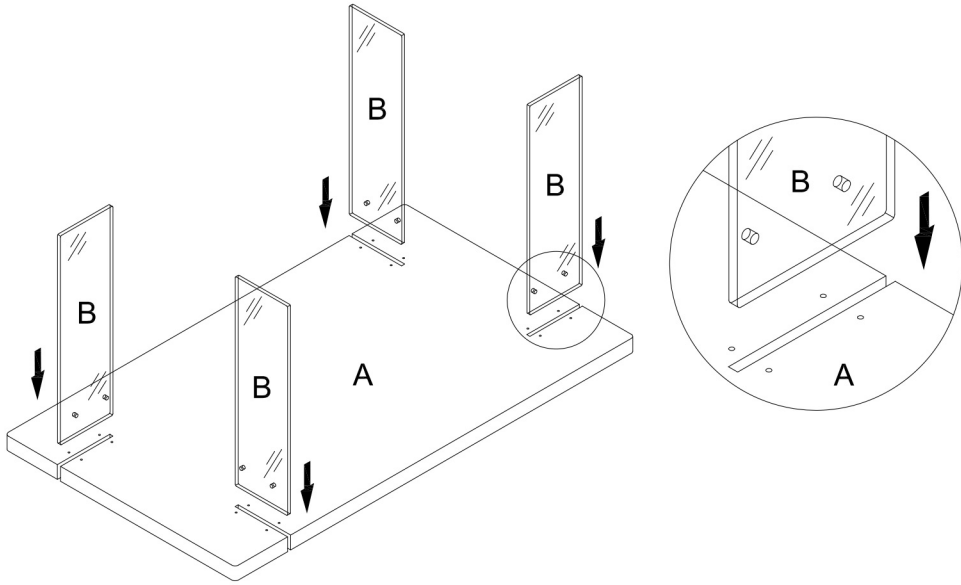
C 8pcs



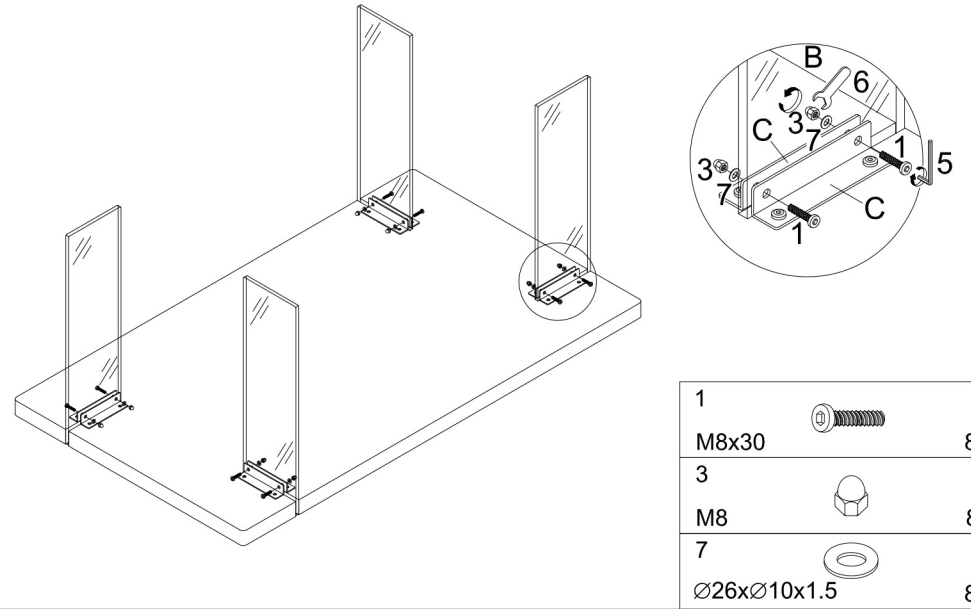
**HARDWARE LIST**




|   |   |      |   |   |       |   |   |      |
|---|---|------|---|---|-------|---|---|------|
| 1 |  | 8pcs | 2 |  | 16pcs | 3 |  | 8pcs |
| 4 |  | 1pc  | 5 |  | 1pc   | 6 |  | 1pc  |
| 7 |  | 8pcs | 8 |  | 8pcs  |   |   |      |
|   | Ø26xØ10x1.5   |      |   |   |       |   |   |      |

### STEP 1.

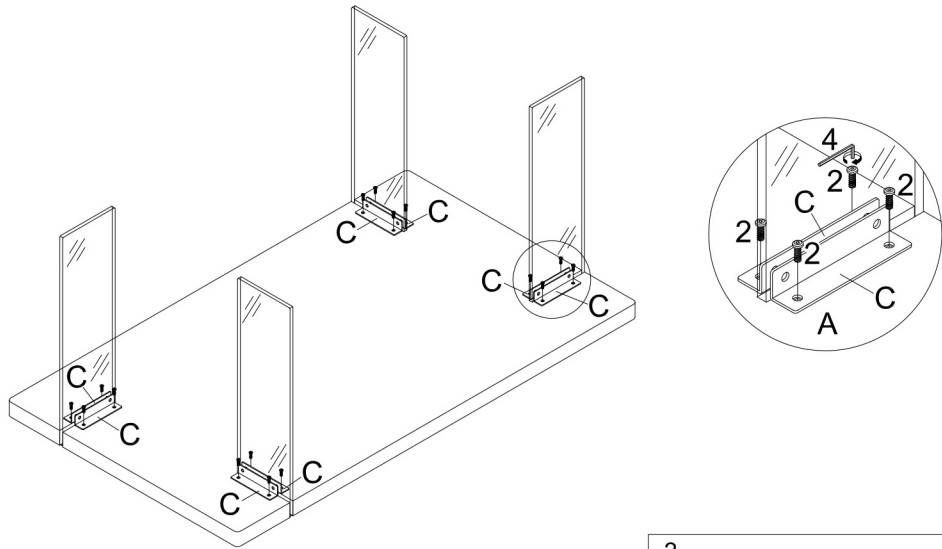


### STEP 3.



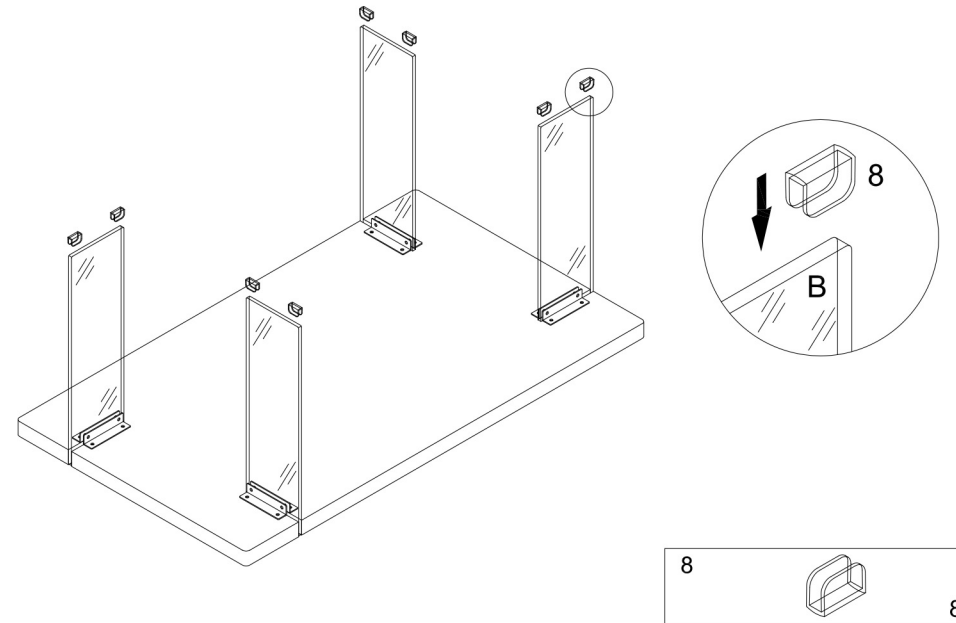
|             |   |      |
|-------------|---|------|
| 1           |  | 8pcs |
| M8x30       |   |      |
| 3           |  | 8pcs |
| M8          |   |      |
| 7           |  | 8pcs |
| ∅26x∅10x1.5 |   |      |

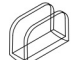
### STEP 2.



|       |   |       |
|-------|---|-------|
| 2     |  | 16pcs |
| M6x20 |   |       |

### STEP 4.



|   |   |      |
|---|---|------|
| 8 |  | 8pcs |
|---|---|------|